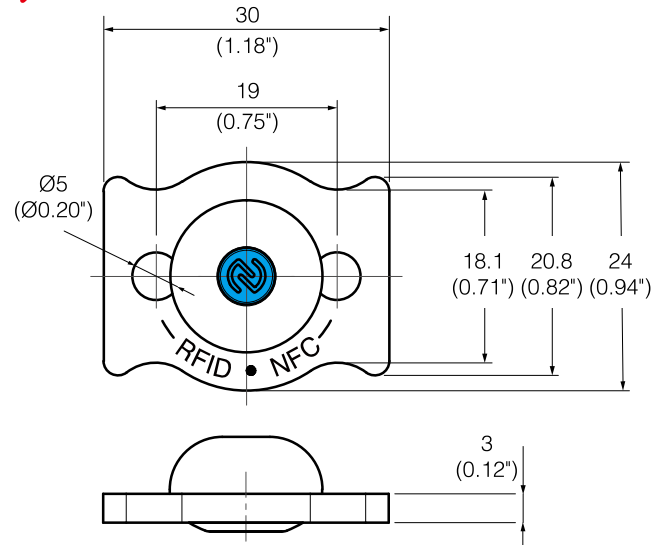


Item No. 13286

SupraButtom, Web Sling Tag

NEW



mm (inch)
weight: 21 g (0.74 oz.)



NFC Enabled

Features:

- By using the Supra Digital Chips with a third-party asset management application to achieve product traceability, manufacturer authentication and digitized product information.
- NFC enabled mobile device or smart phone (iOS 14 or greater required/ Android 12 or greater required) can be used as reader.
- Unique design of proprietary wafer-antenna chip construction.

Application:

Universal



Functionality	
RF Protocol	ISO 15693
Operating Frequency	HF - 13.56 MHz
Memory Configuration	UID 16 bits, User 2K bits
R/W Capability	Read / Write
Performance	
Read Range	Maximum to 5 mm (0.2")
Quality Guarantee	100 %
Orientation	Front Face Read
Physical	
Materials	Stainless Steel (Polish)
Mounting System	Universal Use
Operational	
Max Temperature Exposure	125 °C / 257 °F
Min Temperature Exposure	-30 °C / -22 °F
Continuous Max Service Temperature	125 °C / 257 °F
Continuous Min Service Temperature	-30 °C / -22 °F
Water and Ice Proof	Yes



Patent Number

- » Taiwan Patent: M573545
- » China Patent: ZL 201821589819.6
- » Japan Patent: 3219858
- » United States Patent: 10607128

- » German Patent: 602018032891.2
- » Italy Patent: 3627396
- » UK Patent: 3627396

- » Taiwan Patent: 1638765
- » China Patent: ZL 2017 1 0821524.0
- » United States Patent: 10235617

- » United States Patent: 11305844
- » Japan Patent: 3220091