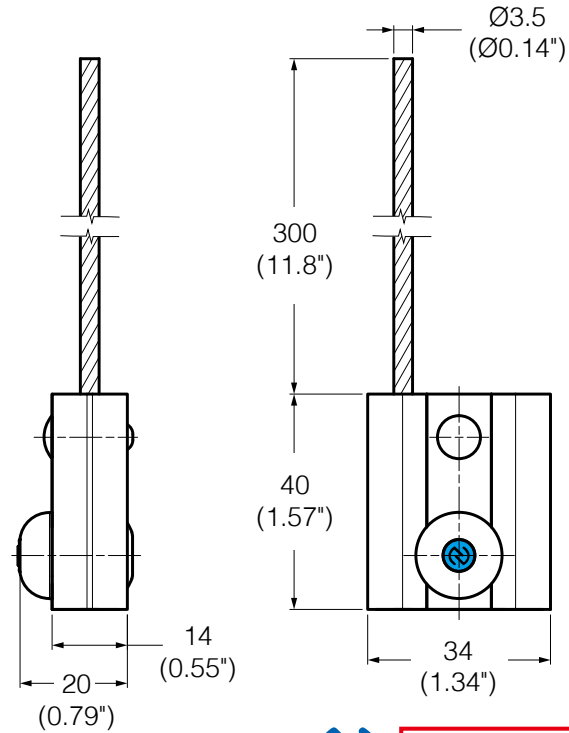
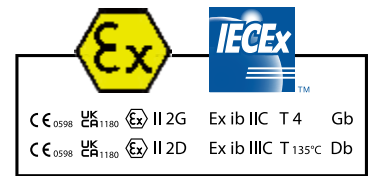


Item No. 53282
SupraX-282

Certificate Pending



mm (inch)
weight: 47g (1.66oz)



Features:

- NFC enabled mobile device or smart phone (iOS 14 or greater required/ Android 12 or greater required) can be used as reader.
- Corrosion resistant stainless steel.
- The tensile strength of the wire rope is greater than 10kN.
- The wire rope fixing mechanism is made of aluminum alloy, without any plastic and for easy recycling.
- The 7x19 stainless steel wire rope with a diameter of 3.5mm is strong, flexible and convenient to use.
- Unique design of proprietary wafer-antenna chip construction.
- By using the Supra Digital Chips with a third-party asset management application to achieve product traceability, manufacturer authentication and digitized product information.

Functionality	
RF Protocol	ISO 15693
Operating Frequency	HF - 13.56 MHz
Memory Configuration	UID 16 bits, User 2K bits
R/W Capability	Read / Write
Performance	
Read Range	Maximum to 5 mm (0.2")
Quality Guarantee	100%
Orientation	Front Face Read
IP Rating	IP68
Physical	
Materials	PA 6 + 30 GF, Stainless Steel, Aluminum
Mounting System	Universal Use
Color	Tag : Turquoise Blue Plate & Housing : Polished
Operational	
Max Temperature Exposure	125 °C / 257 °F
Min Temperature Exposure	-30 °C / -22 °F
Continuous Max Service Temperature	125 °C / 257 °F
Continuous Min Service Temperature	-30 °C / -22 °F
Water and Ice Proof	Yes