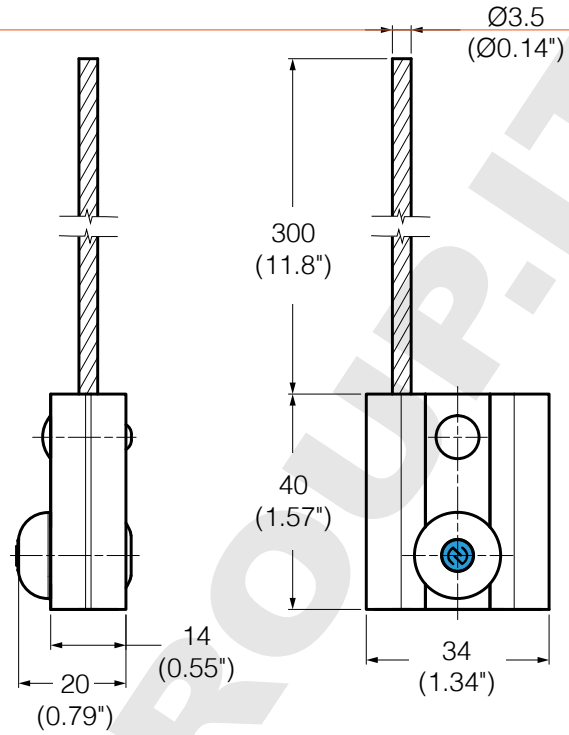


Item No. 13282 Supra282



mm (inch)
weight: 47g (1.66oz)



NFC 対応

Features:

- NFC enabled mobile device or smart phone (iOS 14 or greater required/ Android 12 or greater required) can be used as reader.
- Corrosion resistant stainless steel.
- The tensile strength of the wire rope is greater than 10kN.
- The wire rope fixing mechanism is made of aluminum alloy, without any plastic and for easy recycling.
- The 7x19 stainless steel wire rope with a diameter of 3.5mm is strong, flexible and convenient to use.
- Unique design of proprietary wafer-antenna chip construction.
- By using the Supra Digital Chips with a third-party asset management application to achieve product traceability, manufacturer authentication and digitized product information.

Functionality

RF Protocol	ISO 15693
Operating Frequency	HF - 13.56 MHz
Memory Configuration	UID 16 bits, User 2K bits
R/W Capability	Read / Write

Performance

Read Range	Maximum to 5 mm (0.2")
Quality Guarantee	100 %
Orientation	Front Face Read
IP Rating	IP68

Physical

Materials	PA 6 + 30 GF, Stainless Steel, Aluminum
Mounting System	Universal Use
Color	Turquoise Blue Polished

Operational

Max Temperature Exposure	125 °C / 257 °F
Min Temperature Exposure	-30 °C / -22 °F
Continuous Max Service Temperature	125 °C / 257 °F
Continuous Min Service Temperature	-30 °C / -22 °F
Water and Ice Proof	Yes

Patent Number

» United States Patent:	10235617
» Japan Patent:	3219858
» United States Patent:	10607128
» Japan Patent:	3220091
» Taiwan Patent:	M573545
» China Patent:	ZL 201821589819.6
» Japan Patent:	3219858
» United States Patent:	10607128
» German Patent:	602018032891.2
» Italy Patent:	3627396
» UK Patent:	10607128
» Taiwan Patent:	I638765
» China Patent:	ZL 2017 1 0821524.0
» United States Patent:	10235617