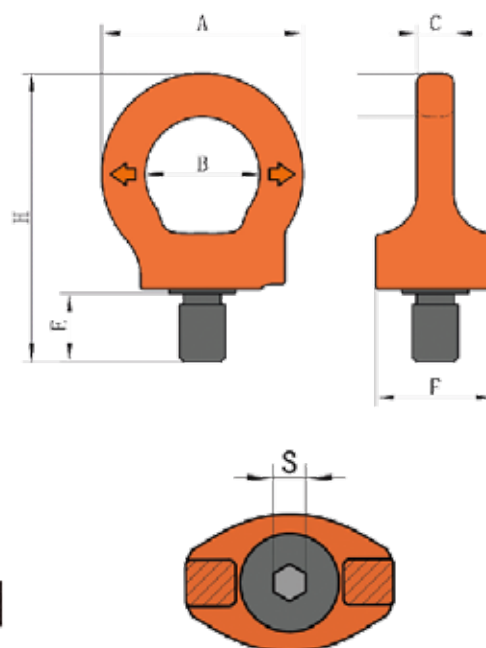
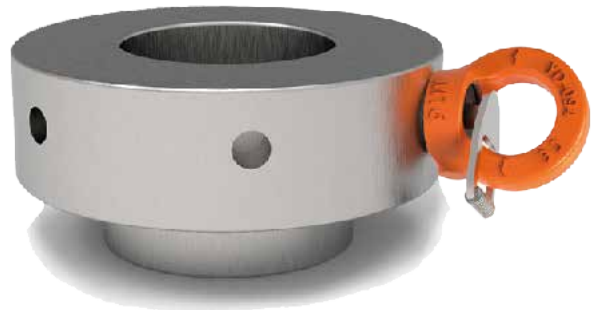


KEP/M - GOLFARE GIREVOLE
KEP/M - SWIVEL LIFTING POINT


360° rotated


KEP/M Golfare girevole
 Swivel Lifting Point

Codice Code	WLL t	Filetto M Thread M	E	A	B	C	D	F	H	S	Nm	Kg
KEP800030080X120	0.3	M8x1.25-6G	12	44	25	8	9.5	26	61.5	6	10	0.15
KEP80004010X0150	0.4	M10x1.5-6G	15	44	25	8	9.5	26	64.5	6	10	0.15
KEP80007012X0180	0.75	M12x1.75-6G	18	52	30	10	11	32	76	8	10	0.2
KEP80007014X0180	0.75	M14x2.0-6G	18	52	30	10	11	32	76	8	20	0.2
KEP80015016X0240	1.5	M16x2.0-6G	24	61	35	14	13	39	91	10	30	0.35
KEP80015018X0240	1.5	M18x2.5-6G	24	61	35	14	13	39	91	10	40	0.35
KEP80023020X0300	2.3	M20x2.5-6G	30	70	40	16	15	47	108	12	70	0.6
KEP80023022X0300	2.3	M22x2.5-6G	30	70	40	16	15	47	108	12	80	0.6
KEP80032024X0360	3.2	M24x3.0-6G	36	84	48	19	18	55	127	14	150	1
KEP80032027X0360	3.2	M27x3.0-6G	36	84	48	19	18	55	127	14	200	1
KEP80045030X0450	4.5	M30x3.5-6G	45	105	60	24	22.5	67	159	17	350	2
KEP80045033X0450	4.5	M30x3.5-6G	45	105	60	24	22.5	67	159	17	350	2
KEP80070036X0540	7	M36x4.0-6G	54	126	72	29	27	85	195	22	410	3
KEP80090042X0630	9	M42x4.5-6G	63	147	82	34	32.5	98	225.5	22	550	5
KEP80120048X0780	12	M48x5.0-6G	72	168	96	38	36	114	259	27	550	7.5



KEP/M Golfare girevole
Swivel Lifting Point

1 tratto 1 Leg	2 tratti 2 Legs	1 tratto 1 Leg	2 tratti 2 Legs	2 tratti 2 Legs		2 tratti 2 Legs	3-4 tratti 3-4 Legs		3-4 tratti 3-4 Legs
0°	0°	90°	90°	0-45°	45-60°	Asym	0-45°	45-60°	Asym

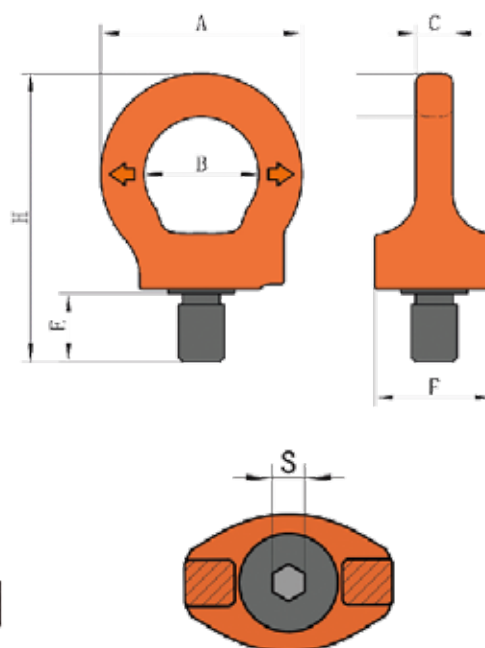
WLL t

KEP800030080X120	1	2	0.3	0.6	0.42	0.3	0.3	0.63	0.45	0.3
KEP80004010X0150	1	2	0.4	0.8	0.56	0.4	0.4	0.8	0.6	0.4
KEP80007012X0180	2	4	0.75	1.5	1	0.75	0.75	1.5	1.1	0.75
KEP80007014X0180	2	4	0.75	1.5	1	0.75	0.75	1.5	1.1	0.75
KEP80015016X0240	4	8	1.5	3	2.1	1.5	1.5	3.1	2.2	1.5
KEP80015018X0240	4	8	1.5	3	2.1	1.5	1.5	3.1	2.2	1.5
KEP80023020X0300	6	12	2.3	4.6	3.2	2.3	2.3	4.8	3.4	2.3
KEP80023022X0300	6	12	2.3	4.6	3.2	2.3	2.3	4.8	3.4	2.3
KEP80032024X0360	8	16	3.2	6.4	4.5	3.2	3.2	6.7	4.8	3.2
KEP80032027X0360	8	16	3.2	6.4	4.5	3.2	3.2	6.7	4.8	3.2
KEP80045030X0450	12	24	4.5	9	6.3	4.5	4.5	9.4	6.7	4.5
KEP80045033X0450	12	24	4.5	9	6.3	4.5	4.5	9.4	6.7	4.5
KEP80070036X0540	16	32	7	14	9.8	7	7	14.7	10.5	7
KEP80090042X0630	24	48	9	18	12.6	9	9	18.9	13.5	9
KEP80120048X0780	32	64	12	24	16.8	12	12	25	18	12



KEP/UNC - GOLFARE GIREVOLE
KEP/UNC - SWIVEL LIFTING POINT


360° rotated


KEP/UNC Golfare girevole
 Swivel Lifting Point

Codice Code	WLL t	Filetto UNC Thread UNC	E	A	B	C	D	F	H	S	Nm	Kg
—	0.3	5/16-18 UNC-2A	12	44	25	8	9.5	26	61.5	6	10	0.15
—	0.4	3/8-16UNC-2A	15	44	25	8	9.5	26	64.5	6	10	0.15
—	0.75	7/16-14UNC-2A	18	52	30	10	11	32	76	8	10	0.2
—	0.75	1/2-13UNC-2A	18	52	30	10	11	32	76	8	20	0.2
—	1.5	5/8-11UNC-2A	24	61	35	14	13	39	91	10	30	0.35
—	2.3	3/4-10UNC-2A	30	70	40	16	15	47	108	12	70	0.6
—	2.3	7/8-9UNC-2A	30	70	40	16	15	47	108	12	80	0.6
—	3.2	1-8UNC-2A	36	84	48	19	18	55	127	14	150	1
—	4.5	1-1/4-7UNC-2A	45	105	60	24	22.5	67	159	17	350	2
—	7	1-1/2-6UNC-2A	54	126	72	29	27	85	195	22	410	3
—	9	1-3/4-5UNC-2A	63	147	82	34	32.5	98	225.5	22	550	5
—	12	2-4.5UNC-2A	72	168	96	38	36	114	259	27	550	7.5



KEP/UNC Golfare girevole
Swivel Lifting Point

	1 tratto 1 Leg	2 tratti 2 Legs	1 tratto 1 Leg	2 tratti 2 Legs	2 tratti 2 Legs		2 tratti 2 Legs	3-4 tratti 3-4 Legs		3-4 tratti 3-4 Legs
	0°	0°	90°	90°	0-45°	45-60°	Asym	0-45°	45-60°	Asym
WLL t										
—	1	2	0.3	0.6	0.42	0.3	0.3	0.63	0.45	0.3
—	1	2	0.4	0.8	0.56	0.4	0.4	0.8	0.6	0.4
—	2	4	0.75	1.5	1	0.75	0.75	1.5	1.1	0.75
—	2	4	0.75	1.5	1	0.75	0.75	1.5	1.1	0.75
—	4	8	1.5	3	2.1	1.5	1.5	3.1	2.2	1.5
—	6	12	2.3	4.6	3.2	2.3	2.3	4.8	3.4	2.3
—	6	12	2.3	4.6	3.2	2.3	2.3	4.8	3.4	2.3
—	8	16	3.2	6.4	4.5	3.2	3.2	6.7	4.8	3.2
—	12	24	4.5	9	6.3	4.5	4.5	9.4	6.7	4.5
—	16	32	7	14	9.8	7	7	14.7	10.5	7
—	24	48	9	18	12.6	9	9	18.9	13.5	9
—	32	64	12	24	16.8	12	12	25	18	12

