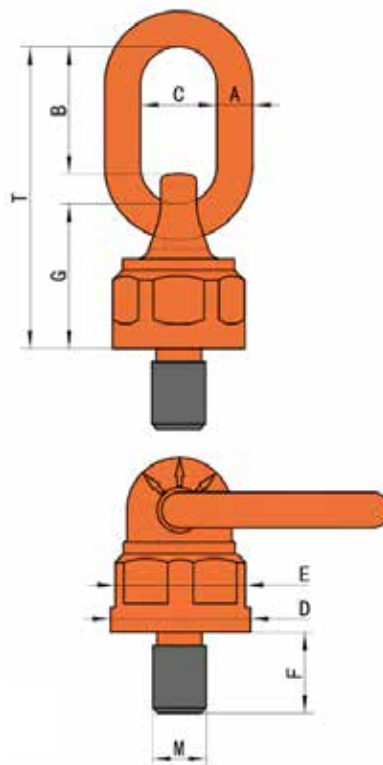
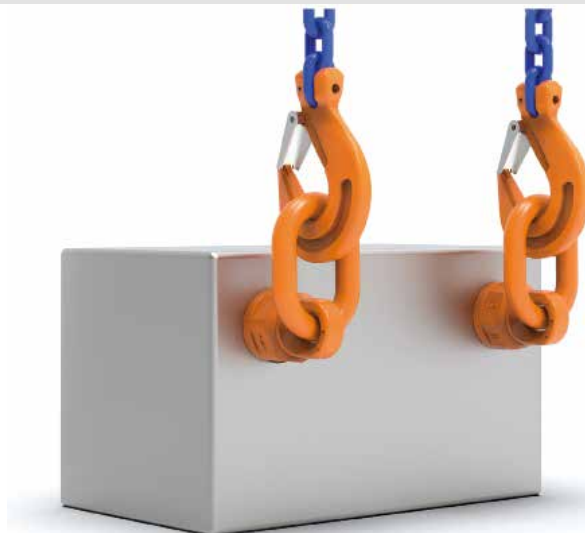


GAM - GOLFARE GIREVOLE AD ANELLO
GAM - SWIVEL LIFTING POINT WITH RING


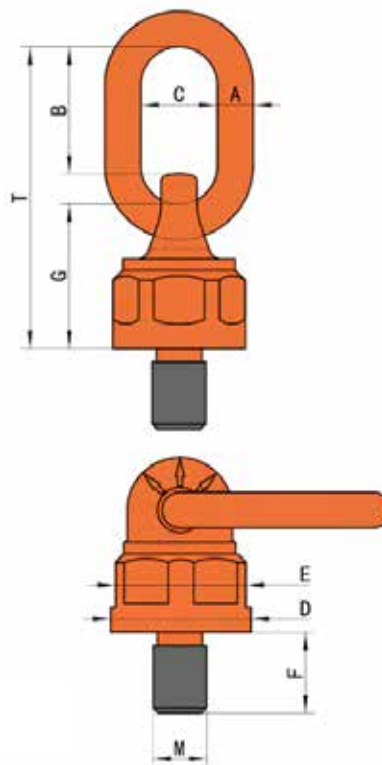
Codice Code	WLL t	Filetto M Thread M	F	A	B	C	D	E	G	T	Nm	Kg
GAM80004008X0120	0.4	M8x1.25-6g	12	12	44	30	40	37	46	98	10-40	0.44
GAM80006010X0190	0.6	M10x1.5-6g	19	12	44	30	40	37	46	98	10-40	0.45
GAM80007012X0190	0.7	M12x1.75-6g	19	12	44	30	40	37	46	98	15-40	0.45
GAM80012014X0310	1.25	M14x2.0-6g	31.8	12	44	30	40	37	46	98	30-100	0.45
GAM80015016X0310	1.5	M16x2.0-6g	31.8	12	44	30	40	37	46	98	45-130	0.48
GAM80010012X0190	1.05	M12x1.75-6g	19	16	56.5	34	59	54.5	64.5	134.5	14-40	1.15
GAM80019016X0300	1.9	M16x2.0-6g	30	16	56.5	34	59	54.5	64.5	134.5	45-130	1.35
GAM80019018X0300	1.9	M18x2.5-6g	30	16	56.5	34	59	54.5	64.5	134.5	100-170	1.35
GAM80020020X0300	2	M20x2.5-6g	30	16	56.5	34	59	54.5	64.5	134.5	100-170	1.4
GAM80020022X0300	2	M22x2.5-6g	30	16	56.5	34	59	54.5	64.5	134.5	100-170	1.4
GAM80031024X0300	3.15	M24x3.0-6g	30	16	56.5	34	59	54.5	64.5	134.5	190-280	1.4
GAM80020018X0380	2	M18x2.5-6g	38.1	20	67	40	70	64.3	76	160	100-170	2.3
GAM80025020X0380	2.5	M20x2.5-6g	38.1	20	67	40	70	64.3	76	160	100-170	2.3
GAM80025022X0380	2.5	M22x2.5-6g	38.1	20	67	40	70	64.3	76	160	100-170	2.35
GAM80040024X0380	4	M24x3.0-6g	38.1	20	67	40	70	64.3	76	160	190-280	2.35
GAM80040027X0380	4	M27x3.0-6g	38.1	20	67	40	70	64.3	76	160	250-500	2.35
GAM80050030X0350	5	M30x3.5-6g	35	20	67	40	70	64.3	76	160	270-600	2.5
GAM80060030X0500	6	M30x3.5-6g	50	22	95	51	79	74	91	206	270-600	3.75
GAM80050033X0500	7.5	M33x3.5-6g	50	22	95	51	79	74	91	206	270-600	3.8
GAM80100036X0540	10	M36x4.0-6g	54	22	95	51	79	74	91	206	270-600	3.9
GAM80100039X0580	10	M39x4.0-6g	58	22	95	51	79	74	91	206	350-800	4
GAM80130042X0630	13	M42x4.5-6g	63	26	108	65	93	85	100.5	230.5	350-800	5.9
GAM80130045X0680	13	M45x4.5-6g	68	26	108	65	93	85	100.5	230.5	350-800	6
GAM80140048X0680	14	M48x5.0-6g	68	26	108	65	93	85	100.5	230.5	350-800	6.15
GAM80200052X0840	20	M52x5.0-6g	84	32	120	70	105	95	132	278	350-900	10
GAM80200056X0840	20	M56x5.5-6g	84	32	120	70	105	95	132	278	350-900	10
GAM80200060X0900	20	M60x5.5-6g	90	32	120	70	105	95	132	278	350-900	10.5
GAM80200064X0950	20	M64x6.0-6g	95	32	120	70	105	95	132	278	500-1000	10.7
GAM80250072X1040	25	M72x6.0-6g	108	40	125	80	158	142	174	339	500-1200	23
GAM80300080X1200	30	M80x6.0-6g	120	40	125	80	158	142	174	339	500-1200	24
GAM80350090X1350	35	M90x6.0-6g	135	40	125	80	158	142	174	339	500-1500	26
GAM80350100X1350	35	M100x6.0-6g	135	40	125	80	158	142	174	339	500-1700	26
GAM80135072X1080	31.5	M72x6.0-6g	108	48	136.5	90	169	155	172.5	357.5	500-1450	34
GAM80350080X1200	35	M80x6.0-6g	120	48	136.5	90	169	155	172.5	357.5	500-1500	35.5
GAM80400090X1350	40	M90x6.0-6g	135	18	136.5	90	169	155	172.5	357.5	500-1700	37.5
GAM80400100X1350	40	M100x6.0-6g	135	48	136.5	90	169	155	172.5	357.5	500-1700	39
GAM80500110X1350	50	M110x6.0-6g	135	48	136.5	90	169	155	172.5	375.5	500-1700	41
GAM80500120X1350	50	M120x6.0-6g	135	48	136.5	90	169	155	172.5	375.5	500-1700	43
GAM80500130X1350	50	M130x6.0-6g	135	48	136.5	90	169	155	172.5	375.5	500-1700	45
GAM80500140X1350	50	M140x6.0-6g	135	48	136.5	90	169	155	172.5	375.5	500-1700	47
GAM80500150X1350	50	M150x6.0-6G	135	48	136.5	90	169	155	172.5	375.5	500-1700	49.5



1 tratto 1 Leg	2 tratti 2 Legs	1 tratto 1 Leg	2 tratti 2 Legs	2 tratti 2 Legs		2 tratti 2 Legs	3-4 tratti 3-4 Legs		3-4 tratti 3-4 Legs
0°	0°	90°	90°	0-45°	45-60°	Asym	0-45°	45-60°	Asym

WLL t

GAM80004008X0120	0.6	1.2	0.4	0.8	0.6	0.4	0.4	0.8	0.6	0.4
GAM80006010X0190	0.9	1.8	0.6	1.2	0.8	0.6	0.6	1.3	0.9	0.6
GAM80007012X0190	1.2	2.4	0.7	1.4	1.0	0.7	0.7	1.5	1.1	0.7
GAM80012014X0310	2	4	1.25	2.5	1.8	1.3	1.3	2.6	1.9	1.3
GAM80015016X0310	2.6	5.2	1.5	3	2.1	1.5	1.5	3.2	2.3	1.5
GAM80010012X0190	1.6	3.2	1.05	2.1	1.5	1.1	1.1	2.2	1.6	1.1
GAM80019016X0300	3	6	1.9	3.8	2.7	1.9	1.9	4	2.9	1.9
GAM80019018X0300	3	6	1.9	3.8	2.7	1.9	1.9	4	2.9	1.9
GAM80020020X0300	3.5	7	2	4	2.8	2	2	4.2	3	2
GAM80020022X0300	3.5	7	2	4	2.8	2	2	4.2	3	2
GAM80031024X0300	5	10	3.15	6.3	4.4	3.2	3.2	6.6	4.7	3.2
GAM80020018X0380	3.6	7.2	2	4	2.8	2	2	4.2	3	2
GAM80025020X0380	4	8	2.5	5	3.5	2.5	2.5	5.3	3.8	2.5
GAM80025022X0380	4	8	2.5	5	3.5	2.5	2.5	5.3	3.8	2.5
GAM80040024X0380	7	14	4	8	5.6	4	4	8.4	6	4
GAM80040027X0380	7	14	4	8	5.6	4	4	8.4	6	4
GAM80050030X0350	7	14	5	10	7	5	5	10.5	7.5	5
GAM80060030X0500	10	20	6	12	8.4	6	6	12.6	9	6
GAM80050033X0500	15	30	7.5	15	10.5	7.5	7.5	15.8	11.3	7.5
GAM80100036X0540	15	30	10	20	14	10	10	21	15	10
GAM80100039X0580	15	30	10	20	14	10	10	21	15	10
GAM80130042X0630	17	34	13	26	18.2	13	13	27.3	19.5	13
GAM80130045X0680	17	34	13	26	18.2	13	13	27.3	19.5	13
GAM80140048X0680	18	36	14	28	19.6	14	14	29.4	21	14
GAM80200052X0840	25	50	20	40	28	20	20	42	30	20
GAM80200056X0840	28	56	20	40	28	20	20	42	30	20
GAM80200060X0900	28	56	20	40	28	20	20	42	30	20
GAM80200064X0950	28	56	20	40	28	20	20	42	30	20
GAM80250072X1040	31.5	63	25	50	35	25	25	52.5	37	25
GAM80300080X1200	38	76	30	60	42	30	30	63	45	30
GAM80350090X1350	40	80	35	70	49	35	35	73.5	52.5	35
GAM80350100X1350	40	80	35	70	49	35	35	73.5	52.5	35
GAM80135072X1080	40	80	31.5	63	44.1	31.5	31.5	66.2	47.3	31.5
GAM80350080X1200	40	80	35	70	49	35	35	73.5	52.5	35
GAM80400090X1350	45	90	40	80	56	40	40	84	60	40
GAM80400100X1350	50	100	40	80	56	40	40	84	60	40
GAM80500110X1350	50	100	50	100	70	50	50	105	75	50
GAM80500120X1350	50	100	50	100	70	50	50	105	75	50
GAM80500130X1350	50	100	50	100	70	50	50	105	75	50
GAM80500140X1350	50	100	50	100	70	50	50	105	75	50
GAM80500150X1350	50	100	50	100	70	50	50	105	75	50

GAM/UNC - GOLFARE GIREVOLE AD ANELLO
GAM/UNC - SWIVEL LIFTING POINT WITH RING

GAM/UNC Golfare girevole ad anello
 Swivel Lifting Point with Ring

Codice Code	WLL t	Filetto UNC Thread UNC	F	A	B	C	D	E	G	T	Nm	Kg
—	0.4	5/16-18UNC-2A	12	12	44	30	40	37	46	98	10-40	0.44
—	0.6	3/8-16UNC-2A	19	12	44	30	40	37	46	98	10-40	0.45
—	0.7	1/2-13UNC-2A	19	12	44	30	40	37	46	98	15-40	0.45
—	1.5	5/8-11UNC-2A	31.8	12	44	30	40	37	46	98	45-130	0.48
—	1.05	1/2-13UNC-2A	19	16	56.5	34	59	54.5	64.5	134.5	14-40	1.15
—	1.9	5/8-11UNC-2A	30	16	56.5	34	59	54.5	64.5	134.5	45-130	1.35
—	1.9	3/4-10UNC-2A	30	16	56.5	34	59	54.5	64.5	134.5	100-170	1.35
—	2	7/8-9UNC-2A	30	16	56.5	34	59	54.5	64.5	134.5	100-170	1.4
—	3.15	1-8UNC-2A	30	16	56.5	34	59	54.5	64.5	134.5	190-280	1.4
—	2	3/4-10UNC-2A	38.1	20	67	40	70	64.3	76	160	100-170	2.3
—	2.5	7/8-9UNC-2A	38.1	20	67	40	70	64.3	76	160	100-170	2.3
—	4	1-8UNC-2A	38.1	20	67	40	70	64.3	76	160	190-280	2.35
—	6	1-1/4-7UNC-2A	50	22	95	51	79	74	91	206	270-600	3.75
—	10	1-1/2-6UNC-2A	54	22	95	51	79	74	91	206	270-600	3.9
—	13	1-3/4-5UNC-2A	63	26	108	65	93	85	100.5	230.5	350-800	5.9
—	14	2-1.5UNC-2A	68	26	108	65	93	85	100.5	230.5	350-800	6.15
—	20	2-1/4-4.5UNC-2A	84	32	120	70	105	95	132	278	350-900	10
—	20	2-1/2-4UNC-2A	84	32	120	70	105	95	132	278	350-900	10
—	25	3-4UNC-2A	108	40	125	80	158	142	174	339	500-1200	23
—	35	3-1/2-4UNC-2A	135	40	125	80	158	142	174	339	500-1500	26
—	35	4-4UNC-2A	135	40	125	80	158	142	174	339	500-1700	26
—	31.5	3-4UNC-2A	108	48	136.5	90	169	155	172.5	357.5	500-1450	34
—	40	3-1/2-4UNC-2A	135	18	136.5	90	169	155	172.5	357.5	500-1700	37.5
—	40	4-4UNC-2A	135	48	136.5	90	169	155	172.5	357.5	500-1700	39

GAM/UNC Golfare girevole ad anello
Swivel Lifting Point with Ring



1 tratto 1 Leg	2 tratti 2 Legs	1 tratto 1 Leg	2 tratti 2 Legs	2 tratti 2 Legs		2 tratti 2 Legs		3-4 tratti 3-4 Legs		3-4 tratti 3-4 Legs
0°	0°	90°	90°	0-45°	45-60°	Asym	Asym	0-45°	45-60°	Asym



	WLL t									
—	0.6	1.2	0.4	0.8	0.6	0.4	0.4	0.8	0.6	0.4
—	0.9	1.8	0.6	1.2	0.8	0.6	0.6	1.3	0.9	0.6
—	1.2	2.4	0.7	1.4	1.0	0.7	0.7	1.5	1.1	0.7
—	2.6	5.2	1.5	3	2.1	1.5	1.5	3.2	2.3	1.5
—	1.6	3.2	1.05	2.1	1.5	1.1	1.1	2.2	1.6	1.1
—	3	6	1.9	3.8	2.7	1.9	1.9	4	2.9	1.9
—	3	6	1.9	3.8	2.7	1.9	1.9	4	2.9	1.9
—	3.5	7	2	4	2.8	2	2	4.2	3	2
—	5	10	3.15	6.3	4.4	3.2	3.2	6.6	4.7	3.2
—	3.6	7.2	2	4	2.8	2	2	4.2	3	2
—	4	8	2.5	5	3.5	2.5	2.5	5.3	3.8	2.5
—	7	14	4	8	5.6	4	4	8.4	6	4
—	10	20	6	12	8.4	6	6	12.6	9	6
—	15	30	10	20	14	10	10	21	15	10
—	17	34	13	26	18.2	13	13	27.3	19.5	13
—	18	36	14	28	19.6	14	14	29.4	21	14
—	25	50	20	40	28	20	20	42	30	20
—	28	56	20	40	28	20	20	42	30	20
—	31.5	63	25	50	35	25	25	52.5	37	25
—	40	80	35	70	49	35	35	73.5	52.5	35
—	40	80	35	70	49	35	35	73.5	52.5	35
—	40	80	31.5	63	44.1	31.5	31.5	66.2	47.3	31.5
—	45	90	40	80	56	40	40	84	40	40
—	50	100	40	80	56	40	40	84	40	40